

HILTI

PS 1000

Operating instructions

en

Mode d'emploi

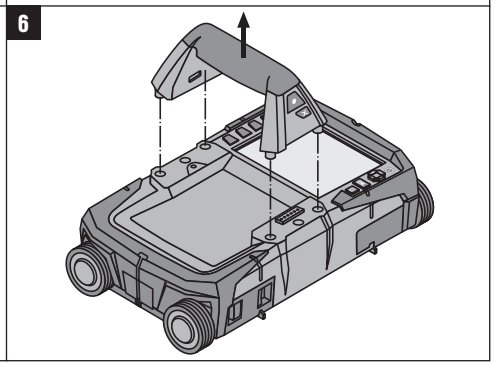
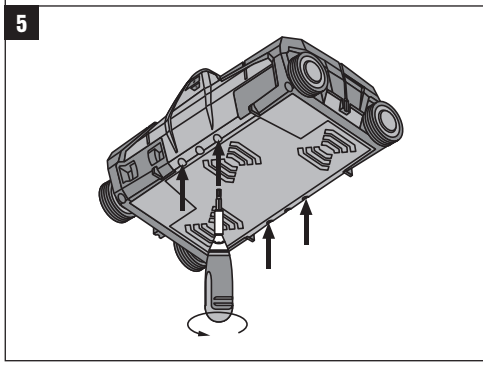
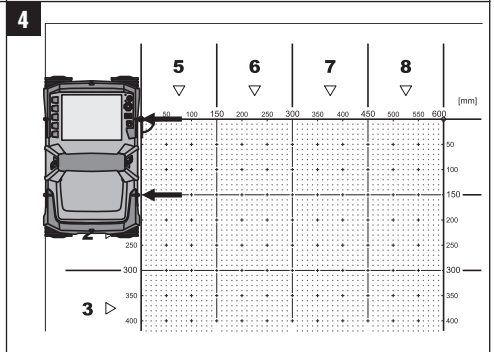
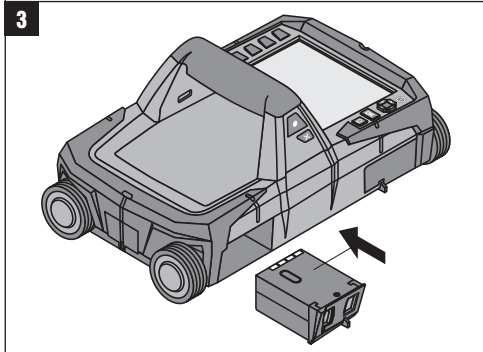
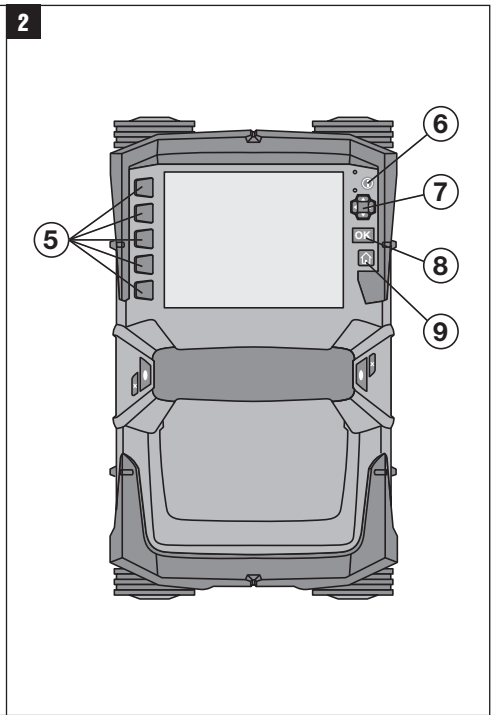
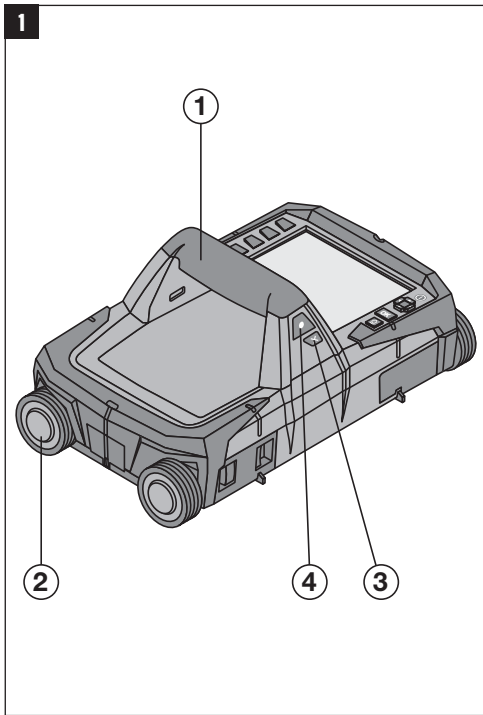
fr

Manual de instrucciones

es

Manual de instruções

pt



ORIGINAL OPERATING INSTRUCTIONS

PS 1000 x-scan

en

It is essential that the operating instructions are read before the tool is operated for the first time.

Always keep these operating instructions together with the tool.

Ensure that the operating instructions are with the tool when it is given to other persons.

1 These numbers refer to the corresponding illustrations. The illustrations can be found on the fold-out cover pages. Keep these pages open while studying the operating instructions.

Scanner **1**

- ① Grip (removable)
- ② Wheels
- ③ Cancel button
- ④ Start/stop button

Buttons **2**

- ⑤ Function buttons
- ⑥ On/off button
- ⑦ 4-way controller
- ⑧ Confirmation button (OK)
- ⑨ Home button

Contents	Page
1. General information	1
2. Description	2
3. Safety instructions	2
4. Before use	3
5. Operation	3
6. Settings	7
7. Disposal	7
8. FCC statement (for USA only)	7
9. IC statement (for Canada only)	9

1. General information

1.1 Safety notices and their meaning

DANGER

Draws attention to imminent danger that will lead to serious bodily injury or fatality.

WARNING

Draws attention to a potentially dangerous situation that could lead to serious personal injury or fatality.

CAUTION

Draws attention to a potentially dangerous situation that could lead to slight personal injury or damage to the equipment or other property.

NOTE

Draws attention to an instruction or other useful information.

1.2 Explanation of the pictograms and other information

Warning signs



General warning

Symbols



Read the operating instructions before use.

2. Description

2.1 Use

The PS 1000 X-Scan is designed to locate objects in concrete structures.

en

2.2 Limitations of use

The tool complies with the requirements of the directives and standards listed in sections 8 and 9.

Prior to use of ground or wall-penetrating radar equipment, the user should check that there are no sensitive radio sites/systems in the near vicinity (airfields, radio astronomy sites, etc.). These sites may be operated by a service defined as such by the national authority responsible. If such sites are present in the vicinity of the location at which the tool is to be used, contact should be made with the operator of the site in order to reach agreement about use of the ground or wall-penetrating radar equipment before beginning scanning.

3. Safety instructions

3.1 General safety instructions

Read the operating instructions stored in memory in the tool.



- a) **Operation of the tool in the proximity of military installations, airports or radio astronomy facilities is not permissible unless prior permission has been obtained.**
- b) **Keep children away. Keep other persons away from the working area.**
- c) **Check the display after switching the tool on.** The display should show the Hilti logo and the name of the tool. The disclaimer notice subsequently displayed must be accepted by the user before the main menu for the current project can be accessed.
- d) **Operation of the tool in the proximity of persons with a cardiac pacemaker is not permissible.**
- e) **Operation of the tool in the proximity of pregnant women is not permissible.**
- f) Rapidly changing detection conditions may lead to inaccurate readings.
- g) **Do not use the tool in the proximity of medical instruments and appliances.**
- h) **Do not drill at positions where the tool has located an object. The diameter of the hole to be drilled must also be taken into account.**
- i) **The warnings shown in the display must always be observed.**
- j) **Due to the scanning principle employed, the results of the scan may be negatively affected by certain ambient conditions. These include, e.g. proximity to appliances that generate powerful magnetic or electromagnetic fields, dampness, construction materials containing metal, aluminium foil-backed insulation, multiple layers, materials with cavities or electrically conductive wall coverings or tiles. Accordingly, other sources of information (e.g. plans of the building) should also be consulted before beginning drilling, sawing or grinding in the area scanned.**
- k) **Take the influences of the surrounding area into account. Do not use the tool where there is a risk of fire or explosion.**
- l) **Make sure that the display area can be easily read (e.g. do not touch the display area with the fingers, keep the display area clean).**
- m) **Do not use the tool if it is defective.**
- n) **Always keep the detection area clean.**
- o) **Always check how the tool is set before using it.**
- p) **Always remove the battery pack before transporting the tool.**
- q) **Store and transport the tool safely. The permissible storage temperature range is -25°C to 63°C (-13°F to +145°F).**
- r) **When the tool is brought into a warm environment from very cold conditions, or vice-versa, allow it to become acclimatized before use.**
- s) **When accessories are to be used, check that they are fitted correctly before beginning use.**

4. Before use



en

4.1 Inserting the battery pack and switching the tool on 3

1. Fully charge the PSA 81 battery pack (please refer to the operating instructions for the PUA 81 mains adapter and PSA 81 battery pack).
2. Insert the charged battery pack.
3. Insert the PSA 95 SD memory card (supplied) in the tool. This feature is not available with the PS 1000-B.
NOTE Always check that the tool is switched off before inserting the SD memory card.
NOTE When an SD memory card is present in the tool, the scan data will be saved on the card. When no memory card is present, the scan data will be saved in the tool's internal memory.
4. Switch the tool on by pressing the on/off button.
If outside the operating temperature range, error message no. 00012 is displayed and the tool switches off automatically. In this case, allow the tool to cool down or warm up and then switch it on.
5. You must accept the terms of the disclaimer notice displayed on the screen before the tool can be operated.
6. To switch off, press and hold the on / off button for 3 seconds.

4.2 Settings

When operating a brand new tool you will first be requested to select the country-specific settings.

1. Use the 4-way controller to select the desired language and confirm your choice by pressing the "OK" button.
2. Make further settings using the 4-way controller and the "OK" button.
3. Use the "OK" button to confirm the settings made.
NOTE You can also use the "Skip" button to skip making these settings until the next time the tool is switched on.

5. Operation



5.1 Displaying the operating instructions

1. Press the "Home" button for 5 seconds.
The operating instructions will be shown in the right context in the display. You can then browse through the complete operating instructions.
2. The operating instructions can also be displayed from the settings menu by way of the "Help" function button.
3. To close the operating instructions, press the "Back" function button.

5.2 Basic functions

The function buttons can be used to select the available functions.

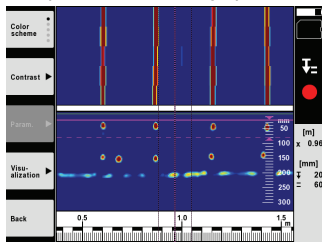
The 4-way controller can be used to shift the focus, change parameter values or, depending on the setting, shift the cross hairs or change the layer thickness/depth, etc.
The "OK" button can be used to select the object in focus or to start data processing.

5.3 Quickscan detection

en

This function is used to indicate the position of objects in a concrete structure directly, during the scan. Objects lying perpendicular to the scanning direction can be made visible in a plan view or cross-sectional view and their position then marked directly on the surface.

1. Switch the tool on or use the "Home" button to go to the main menu.
2. Select "Quickscan detection".
3. Hold the scanner against the surface of the area to be scanned.
4. Start the scan by pressing the start/stop button.
A beep indicates the start of the scan and a red recording mark appears in the display.
5. Move the scanner to the left or right (at least 32 cm / 13") over the surface to be scanned and back along the same scanning path in order to locate concealed objects.
Read the position of an object using the center line in the display and mark this point on the surface of the concrete at the upper marking notch between the wheels. Alternatively, use the broken lines to mark the position of an object along the corresponding edge at the side of the tool.
Audible and visual warnings are emitted if the scanner is moved at a speed approaching the maximum permitted scanning speed. If the scanner is moved too quickly the scan will be canceled.



6. The "Color scheme", "Contrast" and "Param." buttons can be used to change the visualization and calculation parameters.
NOTE The "Param." values must be set before a scan is made (please refer to the operating instructions displayed by the tool).
7. The 4-way controller can be used to set the depth/thickness according to the position of the object.
8. End the scan by pressing the start/stop button.
A double beep indicates that the scan has ended.

5.4 Quickscan recording

NOTE

This feature is not available with the PS 1000-B.

It can be used to scan a long path on a concrete structure. After ending the scan, objects that lie perpendicular to the scanning direction can be made visible in a plan view or cross-sectional view.

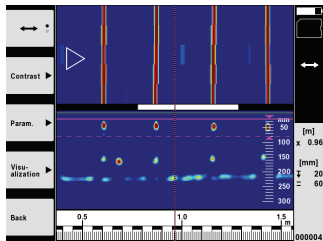
1. Select the "Quickscan recording" function from the main menu.
2. Set the scanning direction.
3. Hold the scanner against the surface of the area to be scanned.

4. Start the scan by pressing the start/stop button.
A beep indicates the start of the scan and a red recording mark appears in the display. A minimum length of 32 cm (13") must be scanned in order to obtain data suitable for evaluation. The red bar showing scanning progress turns black when the minimum length is reached. The maximum scanning length is 10 m (30 ft).
5. Move the scanner in the direction you have previously set.
Audible and visual warnings are emitted if the scanner is moved at a speed approaching the maximum permitted scanning speed. If the scanner is moved too quickly, the scan will be canceled and the data not saved.

en

Do not change the scanning direction. If you move the scanner more than 16 cm (7") in the other direction, the scan will be canceled automatically.

6. End the scan by pressing the start/stop button.
A double beep indicates that the scan has ended.



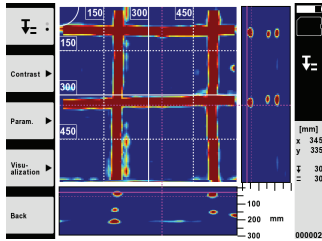
7. Use the "Preview last scan" function to check the last scan. Use the function button at top left to select the function to be controlled by the 4-way controller. The 4-way controller can be used to set the depth/thickness according to the position of the object.
NOTE The "Contrast", "Param." and "Visualization" buttons can be used to change the visualization and calculation parameters. If you change the parameters under "Param.", the data must be recalculated. To do this, press the "OK" button.

5.5 Imagescan 4

The Imagescan function creates an image of the objects present in an area of a concrete structure. The objects are shown in a plan view and a cross-sectional view.

1. First use Quickscan detection in order to determine how the objects are oriented (see Section 5.3).
2. Place the reference grid on the surface to be scanned at right angles to the direction in which the objects are oriented and secure it with the adhesive tape.
NOTE The distances indicated by the scanner display and by the reference grid will correspond only when the reference grid remains flat and taught and is securely attached to the surface.
3. Select "Imagescan" from the main menu.
4. Select the grid size (possible only with the PS 1000) and the starting point.
5. Hold the scanner against the surface of the area to be examined, at the starting point and in line with the grid.
6. Start the scan by pressing the start/stop button.
A beep indicates the start of the scan and a red recording mark appears in the display. A double beep indicates the end of the path to be scanned.
The scan ends automatically at the end of each path.

7. Move the scanner over the area to be examined along the paths indicated by the reference grid. Scan all paths.
Audible and visual warnings are emitted if the scanner is moved at a speed approaching the maximum permitted scanning speed. If the scanner is moved too quickly, the scan along this path will be canceled and must be repeated.
Scanning progress is indicated by a bar in the display. The red bar showing scanning progress turns black when the minimum length is reached.
8. To discard the previously scanned path, press the "Cancel" button.
A new scan can then be started.
9. After the last path has been scanned, the result is displayed immediately for checking and evaluation.



10. The "Contrast", "Param." and "Visualization" buttons can be used to change the visualization and calculation parameters. If the parameters are changed, the data must be recalculated. To do this, press the "OK" button.

5.6 Projects

This function can be used to manage projects and to display and evaluate recorded scans:

1. Select "Projects" from the main menu.
2. Select the desired project. The active project can be identified by its "dog ear" at top right.
The data from the next scan will be saved under this active project.
3. Select the desired scan.
The scan is displayed and can be re-evaluated.

5.7 Data transfer

NOTE

This feature is not available with the PS 1000-B.

The scan data can be transferred to the PSA 100 monitor using the PSA 50/51 data transfer cable or directly to a PC using the PSA 95 SD memory card and PSA 96 adapter.

When the SD memory card is used to transfer scan data, always check to ensure that the PS 1000 is switched off before removing the card.

Data may otherwise be lost.

5.8 Removing the grip 5 6

The height of the PS 1000 X-Scan may prevent access to the surface to be scanned in certain situations where obstructions are present. To allow scanning to be carried out in such situations the grip can be removed.

Release the screws on the underside of the tool and then lift the grip upwards, away from the tool.

6. Settings

6.1 You can adjust the following:

- Brightness
- Volume level
- Date / time
- Energy modes
- Country settings

en

NOTE

Press the “Help” function button to display the complete operating instructions.

7. Disposal

WARNING

Improper disposal of the equipment may have serious consequences:

The burning of plastic components generates toxic fumes which may present a health hazard.

Batteries may explode if damaged or exposed to very high temperatures, causing poisoning, burns, acid burns or environmental pollution.

Careless disposal may permit unauthorized and improper use of the equipment. This may result in serious personal injury, injury to third parties and pollution of the environment.



Most of the materials from which Hilti tools or appliances are manufactured can be recycled. The materials must be correctly separated before they can be recycled. In many countries, Hilti has already made arrangements for taking back old tools or appliances for recycling. Ask Hilti Customer Service or your Hilti representative for further information.



Dispose of the battery in accordance with national regulations.

8. FCC statement (for USA only)

8.1 FCC statement (for USA only)

- CAUTION - This equipment has been tested and found to comply with the limits for a Class B digital device, pursuant to part 15 of the FCC Rules. These limits are designed to provide reasonable protection against harmful interference in a residential installation. This equipment generates, uses, and can radiate radio-frequency energy and, if not installed and used in accordance with the instructions, may cause harmful interference to radio communications.

However, there is no guarantee that interference will not occur in a particular installation. If this equipment does cause harmful interference to radio or television reception, which can be determined by turning the equipment on and off, the user is encouraged to try to correct the interference by one or more of the following measures:

- Re-orient or re-locate the receiving antenna.
- Increase the distance between the equipment and receiver.

- Connect the equipment to an outlet on a circuit different from that to which the receiver is connected.
- Consult the dealer or an experienced radio/TV technician for assistance.

en

NOTE

Changes or modifications not expressly approved by the party responsible for compliance could void the user's authority to operate the equipment.

This device complies with part 15 of the FCC Rules. Operation is subject to the following two conditions:

1. This device may not cause harmful interference.
2. This device must accept any interference received, including interference that may cause undesired operation.

For users in the USA

Operation of this device is restricted to law enforcement, fire and rescue officials, scientific research institutes, commercial mining companies, construction companies and private parties operating on behalf of these groups. Operation by any other party is a violation of 47 U.S.C. § 301 and could subject the operator to serious legal penalties.

Coordination requirements

1. UWB imaging systems require coordination through the FCC before the equipment may be used. The operator shall comply with any constraints on equipment usage resulting from this coordination.
2. The users of UWB imaging devices shall supply detailed operational areas to the FCC Office of Engineering and Technology who shall coordinate this information with the Federal Government through the National Telecommunications and Information Administration. The information provided by the UWB operator shall include the name, address and other pertinent contact information of the user, the desired geographical area of operation, and the FCC ID number and other nomenclature of the UWB device. This material shall be submitted to the following address:
 Frequency Coordination Branch, OET
 Federal Communications Commission
 445 12th Street, SW
 Washington, D.C. 20554
 ATTN: UWB Coordination

3. Users of authorized, coordinated UWB systems may transfer them to other qualified users and to different locations upon coordination of change of ownership or location to the FCC and coordination with existing authorized operations.

4. The NTIA/FCC coordination report shall include any needed constraints that apply to day-to-day operations. Such constraints could specify prohibited areas of operations or areas located near authorized radio stations for which additional coordination is required before operation of the UWB equipment. If additional local coordination is required, a local coordination contact will be provided. Ground Penetrating Radar Coordination Notice And Equipment Registration.

-Note- This form is only for domestic United States users. Failure to do this is a violation of Federal law.

1. Date:
 2. Company name:
 3. Address:
 4. Contact information [contact name and phone number]:
 5. Area of operation [state(s)]:
 6. Equipment identification: PS 1000
 FCC-ID: SDL-PS 1000R01
 7. Receipt date of equipment:
- Fax this form to the FCC at: 202-418-1944 or mail it to:
 Frequency Coordination Branch OET
 Federal Communications Commission
 445 12th Street, SW
 Washington D.C., 20554
 ATTN: UWB Coordination
 Do not send this information to Hilti Corporation.

9. IC statement (for Canada only)

9.1 IC statement (for Canada only)

This device complies with the requirements defined in RSS-220 in conjunction with RSS-Gen of IC.

1. This device may not cause harmful interference.

2. This device must accept any interference received, including interference that may cause undesired operation.

For users in Canada

This device shall be operated only where directed to the ground or wall, and when in contact with the ground or wall surface. This device shall be operated only by law enforcement agencies, scientific research institutes, commercial mining companies, construction companies, and emergency rescue or fire-fighting organizations.

en

HILTI

Hilti Corporation

LI-9494 Schaan

Tel.: +423 / 234 21 11

Fax: +423 / 234 29 65

www.hilti.com



2004875